



Mobile Projector Kit

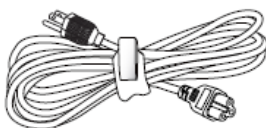
Enhance your presentations by showing images with this ultra-portable, small, and lightweight projector. It provides bright, crisp, high-resolution LED projection, with a built-in speaker and support for 720p HD.

Project images to your screen or wall from an array of mobile devices, including laptops, tablets, and smartphones.

KIT CONTAINS:

- Dell Mobile projector
- These instructions
- CD containing manuals
- Plastic CD case
- Power cable
- AC adapter
- Universal 24-pin to VGA cable
- In case you need a different way to connect to your particular hardware, we've provided two additional cables.
This kit does not offer a wireless connection.
 - HDMI cable
 - HDMI to VGA adapter converter
- Mini tripod
- 2 carrying cases (projector fits in smaller case, which goes into larger one)

Power cable



AC adapter



Universal 24-pin to VGA cable



Machine and user manual information:

- The brand/model is the Dell mobile projector kit M115HD.
- Both the User's Guide and the Quick Start Guide are on the CD contained in this kit.
- The User's Guide and the Quick Start Guide also available online: <http://urbanafreelibrary.org/books-more/productivity-collection>.

WHAT YOU WILL NEED besides the unit and cables borrowed from the library:

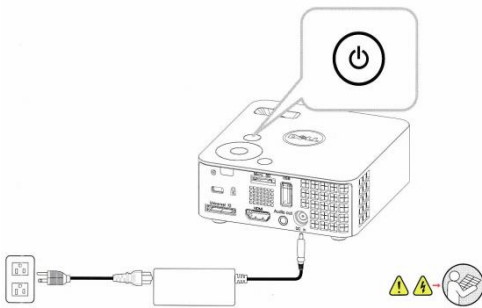
- Your laptop or computer
- A projection screen, in case you're not using a wall
- Optional: External speakers

NOTE:

- You will need to hard-wire this projector to your computer using the cables in the kit. The library does not provide a wireless connection option for this machine.
- The M115HD projector can only be used indoors.

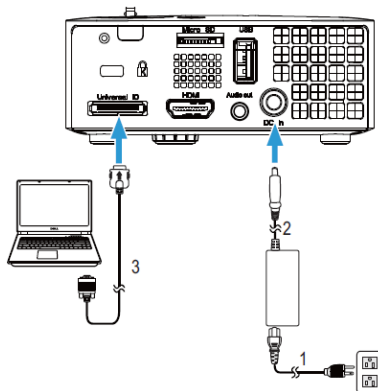
PREPARE:

Step 1: Connect the power cable and turn on the projector.



Step 2. Connect the appropriate cables to your computer.

Connecting a Computer Using a VGA Cable



1	Power cord
2	AC adapter
3	Universal 24-pin to VGA cable

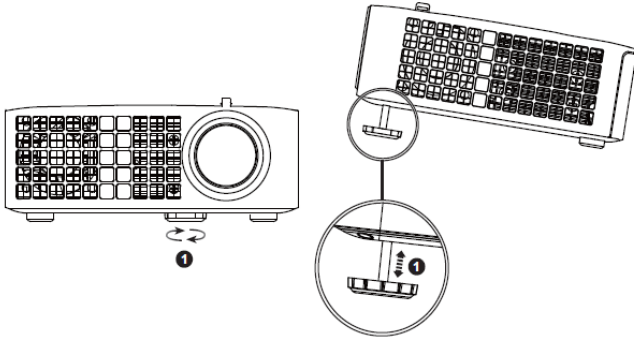
Step 3: Adjust image size and height.

Raising the Projector Height

- 1 Raise the projector to the desired display angle, and use the front tilt adjustment wheel to fine-tune the display angle.

Lowering the Projector Height

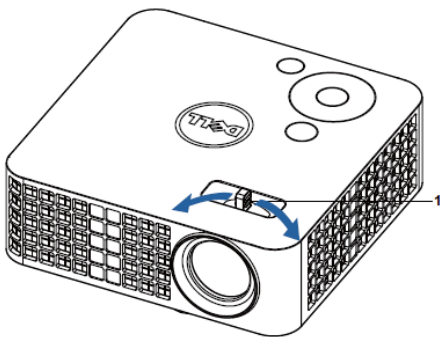
- 1 Lower the projector, and use the front tilt adjustment wheel to fine-tune the display angle.



Step 4: Adjust image focus.

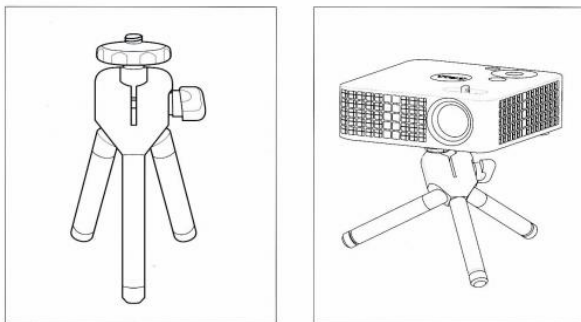
CAUTION: To avoid damaging the projector, ensure that the front adjustment wheel is fully retracted before moving the projector or placing the projector in its carrying case.

- 1 Rotate the focus tab until the image is clear. The projector focuses at distances ranging between 3.18 ft to 8.48 ft (97 cm to 258 cm).



1 Focus tab

Step 5: Assemble the mini-tripod.



USING THE PROJECTOR:

The on/off switch is on the “control panel,” which is the top of the projector.

Turning the projector on:

NOTE: Turn on the projector before you turn on the source (computer, DVD player, etc.). The Power button light blinks white until pressed.

- 1 Connect the power cord with AC adapter and appropriate signal cables to the projector.
- 2 Press the Power button.
- 3 Turn on your source (computer, DVD player, etc.)
- 4 Connect your source to the projector using the appropriate cable.
- 5 By default, the input source of the projector is set to VGA. Change the input source of the projector if necessary.
- 6 If you have multiple sources connected to the projector, press the Source button on the remote control or control panel to select the desired source.

Turning Your Projector Off:

CAUTION: Unplug the projector after properly shutting down as explained in the following procedure.

- 1 Press the Power button. Follow the instruction displayed on screen to properly turn off the projector.

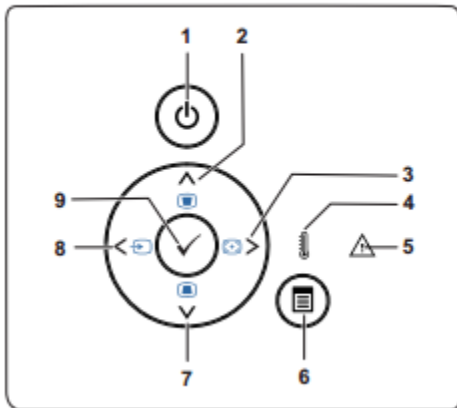
NOTE: The "Press Power Button to Turn off Projector" message will appear on the screen. The message disappears after 5 seconds or you can press the Menu button to clear it.

- 2 Press the Power button again. The cooling fans continue to operate for 120 seconds.
- 3 To power off the projector quickly, press the Power button and hold for 1 second while the projector's cooling fans are still running.

NOTE: Before you turn on the projector again, wait for 60 seconds to allow the internal temperature to stabilize.

- 4 Disconnect the power cord and AC adapter from the electrical outlet and the projector.

Using the Control Panel



1 Power

Press to turn the projector on or off.

2 Up / Keystone adjustment

Press to navigate through the On-Screen Display (OSD) Menu items.

Press to adjust image distortion caused by tilting the projector (+/-40 degrees).

3 Right / Auto Adjust

Press to navigate through the On-Screen Display (OSD) Menu items.

Press to synchronize the projector to the input source.

NOTE: Auto Adjust does not operate if the on-screen display (OSD) is displayed.

4 TEMP LED

If the TEMP amber indicator is on or blinking, one of the following problems could be occurring:

- Solid--Internal temperature of the projector is too high. The display automatically shuts down. Turn the display on again after the projector cools down.
- Blinking--If the projector fan fails, the projector will automatically shut down. Clear the projector mode by pressing and holding the POWER button for 10 seconds. Please wait for about 5 minutes and try to power up again.

5 Error LED

If Error LED is blinking amber, one of the fans has failed. The projector will automatically shut down.

6 Menu

Press to activate the OSD (On-Screen Display).

Use the directional keys and the Menu button to navigate through the OSD.

7 Down / Keystone adjustment

Press to navigate through the On-Screen Display (OSD) Menu items.

Press to adjust image distortion caused by tilting the projector (+/-40 degrees).

8 Left / Source

Press to navigate through the On-Screen Display (OSD) Menu items.

Press to toggle through VGA, DoUSB, HDMI, USB, MicroSD, and Internal Memory sources when multiple sources are connected to the projector.

9 Enter

Press to confirm the selection item.



The Urbana Free Library

210 W. Green Street • Urbana, Illinois 61801 • 217-367-4405 • urbanafreelibrary.org

July 2017